

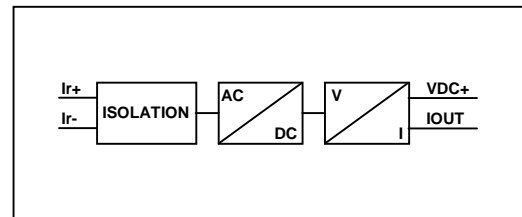
CT-R6-4C

ISOLATED TRUE RMS CURRENT TRANSMITTER



factor signals.

- ◆ Galvanic isolation is provided between the input and output circuits to protect measuring equipment from transient overvoltages which generally exist in industrial environment.
- ◆ Installation is on a snap-on DIN rail mounting foot. Small physical size allows smaller junction boxes be used. Field terminals accept up to 2.5 mm² (14 AWG) wires.

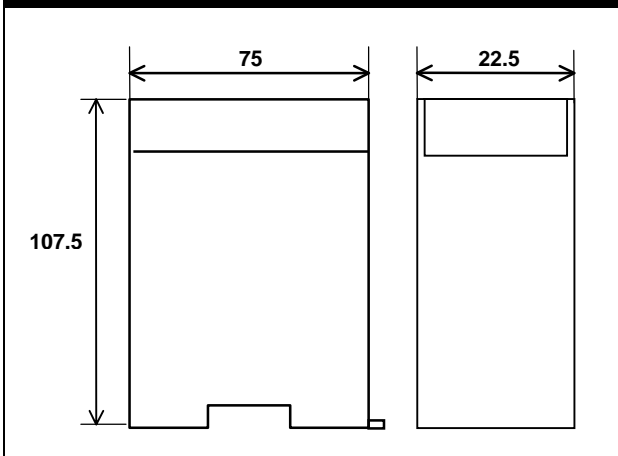


- ◆ CT-R6-4C isolated current to analog transmitter is an accurate and reliable electronic device designed for harsh industrial environment.
- ◆ CT-R6-4C can be used in industrial automation applications as well as in any place where AC current measurement needs to be taken.
- ◆ CT-R5-4C is compatible with many industrial equipment such as RTUs, PLCs, chart recorders, analog display modules.
- ◆ CT-R6-4C features an isolated AC current input. The module has loop powered 4-20 mA output, which is proportional with the RMS value of current input.
- ◆ CT-R6-4C utilizes true RMS conversion to maintain accuracy with high crest

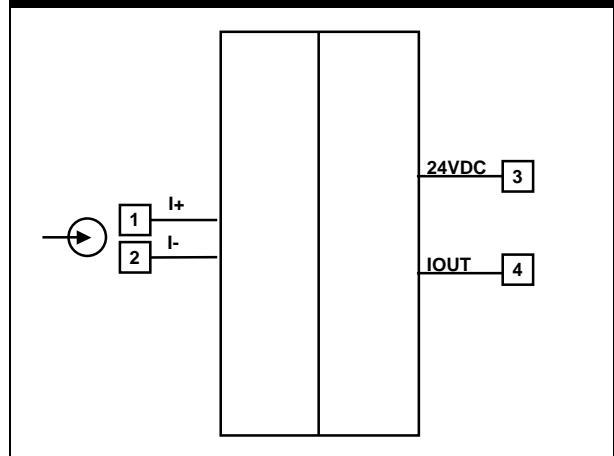
TECHNICAL SPECIFICATIONS

Input range	0...5 A _{AC}
Continuous overcurrent	100 %
Input signal frequency	40...70 Hz
Input impedance	0.01 Ω
Output Range	4...20mA
Output voltage compliance	9V
Output impedance	40 MΩ
Current limit	32mA
Offset error	±50 µA (0 A _{AC} input)
Settling time	200 ms (0%...90% FS)
Overall accuracy	0.5% FS
Operating temperature range	0°C...+60°C, -30°C...+70°C
Power supply	9..35 V _{DC}
Isolation	2250V

DIMENSIONS



FIELD CONNECTIONS



SYS System Integration and Design Inc.

✉ Koza Sokak 70/11 GOP, 06700, Ankara
 ☎ +90 (312) 446 9283
 📠 +90 (312) 446 5917

info@sys-inc.com
www.sys-inc.com